



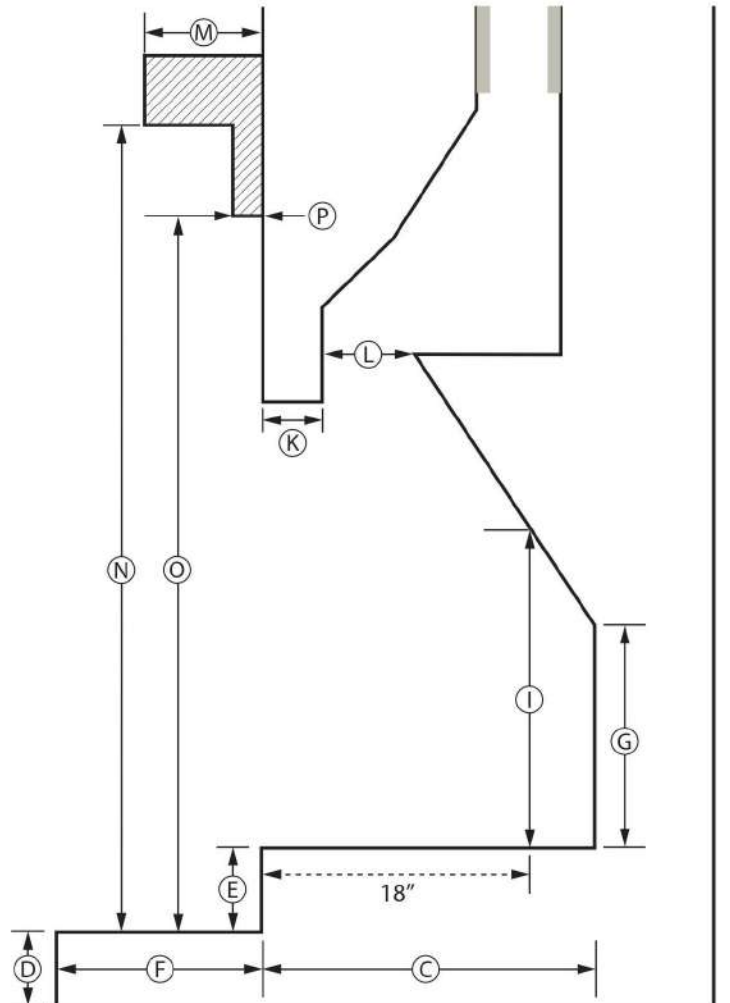
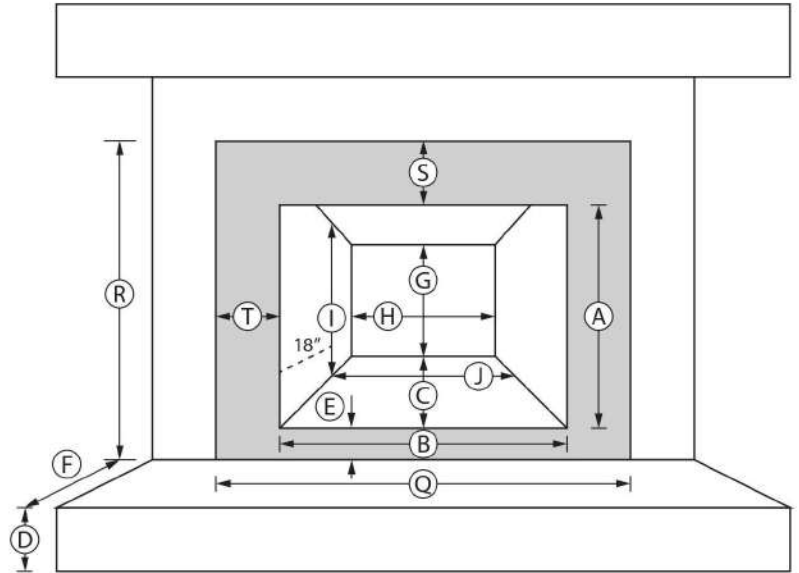
Fireplace Measurement Form

Be sure to measure the dimensions of your fireplace to ensure that your fireplace insert will fit. Please bring this completed form, along with your photos, when you visit our showroom.

Customer Name: _____ Date: ___/___/___ Measured By: _____

Fireplace Measurements

A	Firebox Opening Height	
B	Firebox Opening Width	
C	Firebox Depth	
D	Raised Hearth Height	
E	Firebox Height From Hearth (typically 0")	
F	Hearth Depth	
G	Rear Height	
H	Rear Width	
I	Height at 18" Depth (or at ____" depth of unit)	
J	Width at 18" Depth (or at ____" depth of unit)	
K	Lintel Depth (face to flue opening)	
L	Depth of Damper Opening	
M	Max Depth of Mantel	
N	Height to Max Depth of Mantel	
O	Height to Combustible Trim	
P	Depth of Mantel/Trim at Bottom	
Q	Mantel/Trim Opening Width	
R	Mantel/Trim Opening Height	
S	Distance to Combustible Mantel (NFPA Minimum 12")	
T	Distance to Combustible Mantel (NFPA Minimum 6")	



Other Useful Information

Chimney Type	___ Masonry ___ Metal
Chimney Flue Size	___ X ___
Terracotta Lined	___ Yes ___ No
Approx. Chimney Height From Firebox Bottom	
Fireplace Face	___ Stone/Varied ___ Brick ___ Other
Is Floor/Hearth Level?	___ Yes ___ No